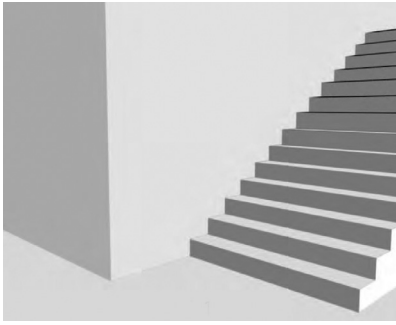
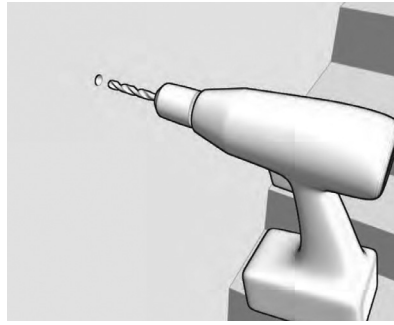


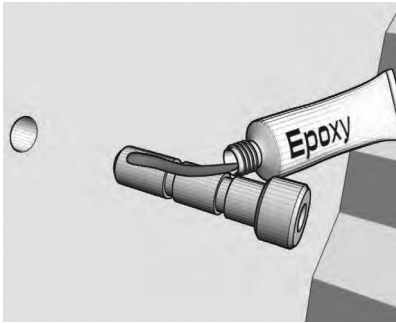
Step 1



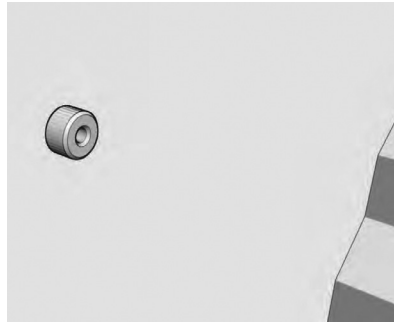
Step 2



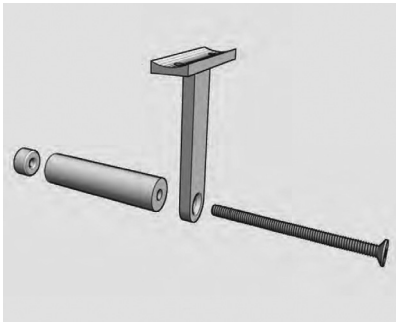
Step 3



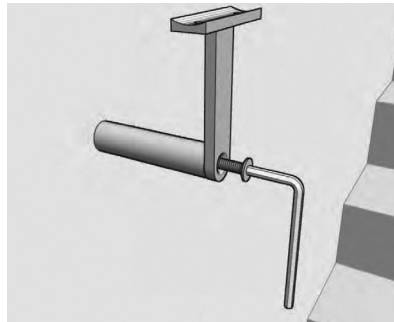
Step 4



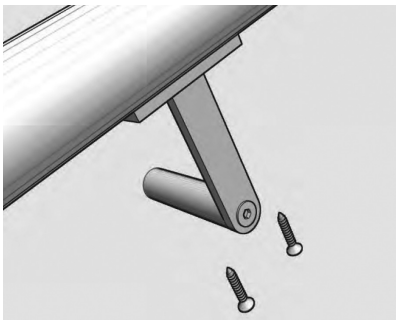
Step 5



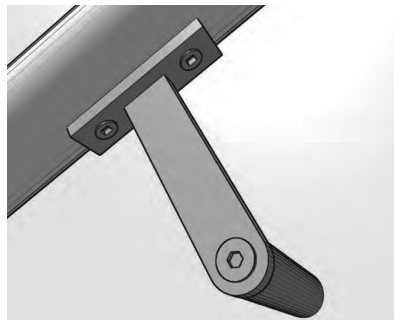
Step 6



Step 7



Step 8



**halliday  
baillie**

## STAIR RAIL HB 500/510 INSTALLATION GUIDE

Step 1  
Stairs

Step 2  
Drill 1/2" diameter hole

Step 3  
Epoxy bond anchor in place

Step 4  
Let epoxy set

Step 5  
Assemble Stair Rail components

Step 6  
Tighten with M4 hex wrench

Step 7  
Fix HB 500/510 to Stair Rail with 2 x 4mm wood screws

Step 8  
Installation complete

If in doubt please contact your local H+B dealer.