



# halliday baillie

## HB 890 - FLUSH PULLS 6.69"

### SLIDING DOOR PRIVACY SET - 2.17" BACKSET

The Halliday + Baillie HB 890 sliding door brass privacy set features an integrated push button-activated edge pull for pocketed doors. The operable "snib" (a slide block that acts like a traditional thumb turn) slides upwards to engage the lock. The discrete emergency release indicator pull can be operated with a pen or other object to disengage the lock from the outside.

In double door conditions, for the passive leaf specify the HB 697 Strike Body w/Edge Pull and add HB 860 Flush Pulls where a matching flush pull is required.

Backset : 2.17"

Minimum door thickness : 1.5"

Flush pulls : 6.69" x 1.65" x 0.50"

Internal grip depth : 0.43"

Suitable for timber or wide profile aluminium doors

Standard HB 890 set includes :

- HB 890 Series Lock Body
- Two HB 860 Flush Pulls
- HB 604 Fixing Kits
- Strike and Dust Box
- Two spindle lengths (please specify door thickness)
- Fasteners

Configurations :

HB 890 : Privacy Set, Snib Inside, ER Indicator Outside

HB 892 : Snib Inside, Blank Outside

HB 894 : Snib both Sides

HB 691 : Body Only no End Pulls

HB 697 : Body + End Pull, no Bolt

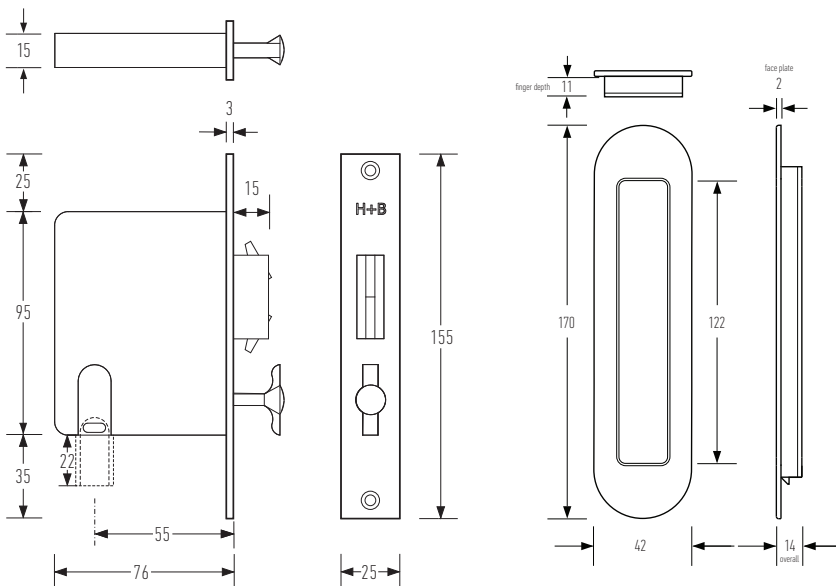
Please note all finishes below are unlacquered:

AB : Aged Brass

SB : Satin Brass

PB : Polished Brass

KC : Black Chrome



dustbox and strike plate



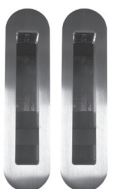
To be used with the HB 604 Timber fixing Kit on timber doors



Snib/Key  
HB 890 configuration



Snib/Indicator  
HB 892 configuration



Snib/Snib  
HB 894 configuration

Designed and manufactured in New Zealand. For more information on this product and others please visit [www.hallidaybaillie.com](http://www.hallidaybaillie.com). For dealers in North America, contact Bridgeport Worldwide +1-800-362-1484 [www.BridgeportWorldwide.com/hallidaybaillie](http://www.BridgeportWorldwide.com/hallidaybaillie). All information subject to change.