



halliday baillie

HB 890 - FLUSH PULLS 6.69"

SLIDING DOOR PRIVACY SET - 2.17" BACKSET

The Halliday + Baillie HB 890 sliding door brass privacy set features an integrated push button-activated edge pull for pocketed doors. The operable "snib" (a slide block that acts like a traditional thumb turn) slides upwards to engage the lock. The discrete emergency release indicator pull can be operated with a pen or other object to disengage the lock from the outside.

In double door conditions, for the passive leaf specify the HB 697 Strike Body w/Edge Pull and add HB 860 Flush Pulls where a matching flush pull is required.

Backset : 2.17"

Minimum door thickness : 1.42"

Flush pulls : 6.69" x 1.65" x 0.50"

Internal grip depth : 0.43"

Suitable for timber or wide profile aluminium doors

Standard HB 890 set includes :

- HB 890 Series Lock Body
- Two HB 860 Flush Pulls
- HB 604 Fixing Kits (one set for HB 693)
- Strike and Dust Box
- Two spindle lengths (please specify door thickness)
- Fasteners

Configurations :

HB 890 : Privacy Set, Snib Inside, ER Indicator Outside

HB 892 : Snib Inside, Blank Outside

HB 893 : Snib Inside, No Pull Outside

HB 894 : Snib both Sides

HB 691 : Body Only no End Pulls

HB 697 : Body + End Pull, no Bolt

Please note all finishes below are unlacquered:

AB : Aged Brass

SB : Satin Brass

PB : Polished Brass

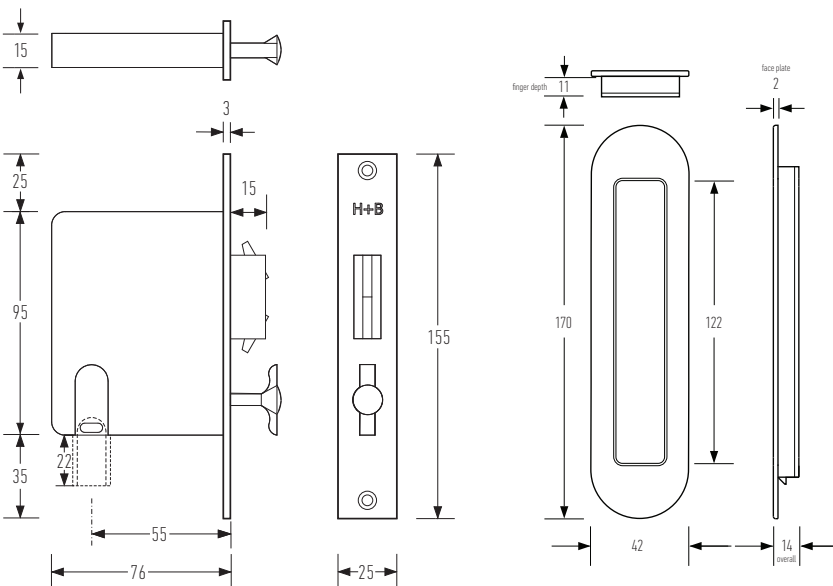
KC : Black Chrome



dustbox and strike plate



To be used with the HB 604 Timber fixing Kit on timber doors



Designed and manufactured in New Zealand. For more information on this product and others please visit www.hallidaybaillie.com. For dealers in North America, contact Bridgeport Worldwide +1-800-362-1484 www.BridgeportWorldwide.com/hallidaybaillie. All information subject to change.



Snib/Key
HB 890 configuration



Snib/Indicator
HB 892 configuration



Snib/Blank
HB 893 configuration



Snib/Snib
HB 894 configuration