

**halliday
baillie**

HB 620/35 Passage Set

The Halliday + Baillie HB 620/35 Set, includes two HB 660/35 Flush Pulls and the HB 680 Push Button Edge Pull. The slim faceplate, smooth push-button release and narrow 1.93" body depth make it suitable for sliding wood passage doors, including wide stile timber and aluminum cavity sliding doors.

A minimum door thickness of 1.34" is required.

Flush Pull

Material : Diecast Zinc and Brass
Dimensions : 6.69 x 1.42 x 0.51"
Internal grip depth : 0.39"

Edge Pull

Material : Diecast Zinc and Brass
Dimensions (overall) : 6.69 x 0.79 x 1.93"
Dimensions (case to be morticed) : 3.94 x 1.93 x 0.47"
Handle Projection : 0.75"

Suitable for timber or aluminium doors.

Available in all standard Halliday + Baillie finishes.
See finishes sheet for further details.

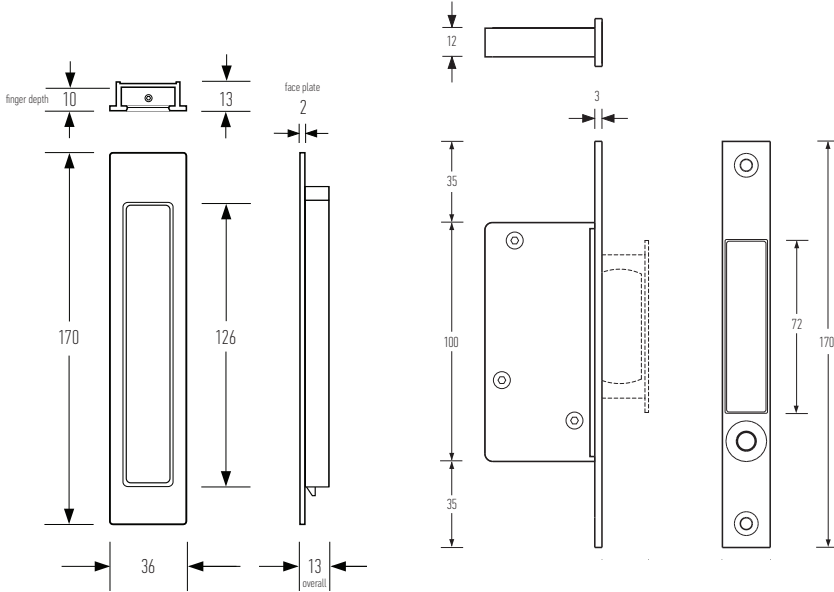
Standard HB 620/35 set includes :
2x HB 660/35 Flush Pulls
2x HB 604 Fixing Kits (one set for HB 660/35)
1x HB 680 Push Button Edge Pull + with all fixings



To be used with the
HB 604 Timber Fixing
Kit on timber doors.



Shown here with the HB 660/35 Flush Pull,
HB 680 Push Button Edge Pull



HB 660/35 FLUSH PULL

HB 680 PUSH BUTTON EDGE PULL

Designed and manufactured in New Zealand. For more information on this product and others please visit www.hallidaybaillie.com. For dealers in North America, contact Bridgeport Worldwide +1-800-362-1484 www.BridgeportWorldwide.com/hallidaybaillie. All information subject to change.