

HB 660/35 FLUSH PULL NARROW 6.69"

The Halliday + Baillie HB 660/35 is the sister flush pull to the HB 660. This version is shallower in depth for use with the HB 690 privacy lock or HB 680 active edge pull for doors less than 1½" thick.

If using back to back together with the HB 680 Edge Pull, a minimum door thickness of 1.38" is required.

Each Flush Pull is shipped with one set of the HB 604 Timber Fixing kits.

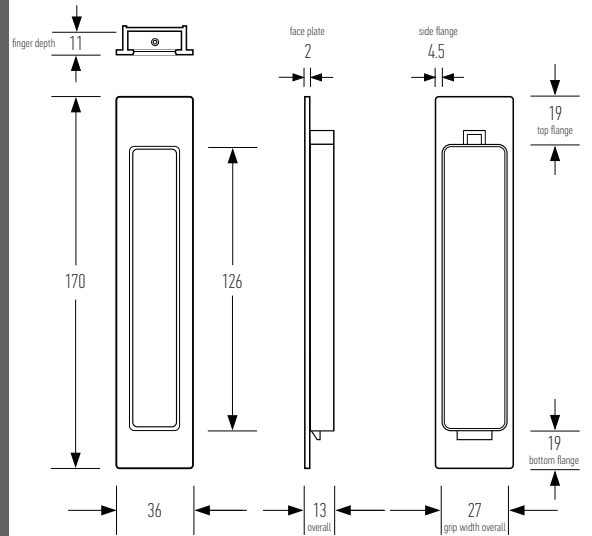
Material : Diecast Zinc and Brass

Dimensions : 6.69" x 1.42" x 0.47"

Internal grip depth : 0.43"

Suitable for timber or aluminum doors.

Available in all standard Halliday + Baillie finishes. See finishes sheet for further details.



To be used with the HB 604 Timber Fixing Kit on timber doors



Designed and manufactured in New Zealand. For more information on this product and others please visit www.hallidaybaillie.com. For dealers in North America, contact Bridgeport Worldwide +1-800-362-1484 www.BridgeportWorldwide.com/hallidaybaillie. All information subject to change.